



**2.5GHz 1,6/5.6 FAILSAFE S.P.D.T. SWITCH**

OPTIONS : INDICATOR

**R F CHARACTERISTICS**

FREQUENCY RANGE : 0 - 2.5 GHz  
IMPEDANCE : 75 Ohms

FREQUENCY (GHz)	0 - 1	1 - 2.5
V.S.W.R <=	1.20	1.30
INSERT. LOSS <=	0.20 dB	0.30 dB
ISOLATION >=	80 dB	70 dB
AVER. POWER (*)	400 W	240 W

**ELECTRICAL CHARACTERISTICS**

ACTUATOR : FAILSAFE  
NOMINAL CURRENT AT 25° C (±10%) : 102 mA  
ACTUATOR VOLTAGE (Vcc) : 28V (24 to 30V)  
TERMINALS : solder pins (250° C max./30 sec.)  
INDICATOR RATING : 1 W / 30 V / 100 mA

**MECHANICAL CHARACTERISTICS**

CONNECTORS : 1,6/5.6 fem. per IEC 169-13  
LIFE : 5.000 .000 cycles  
SWITCHING TIME (nominal voltage;25° C) : < 10 ms  
CONSTRUCTION : splashproof  
WEIGHT : < 45 g

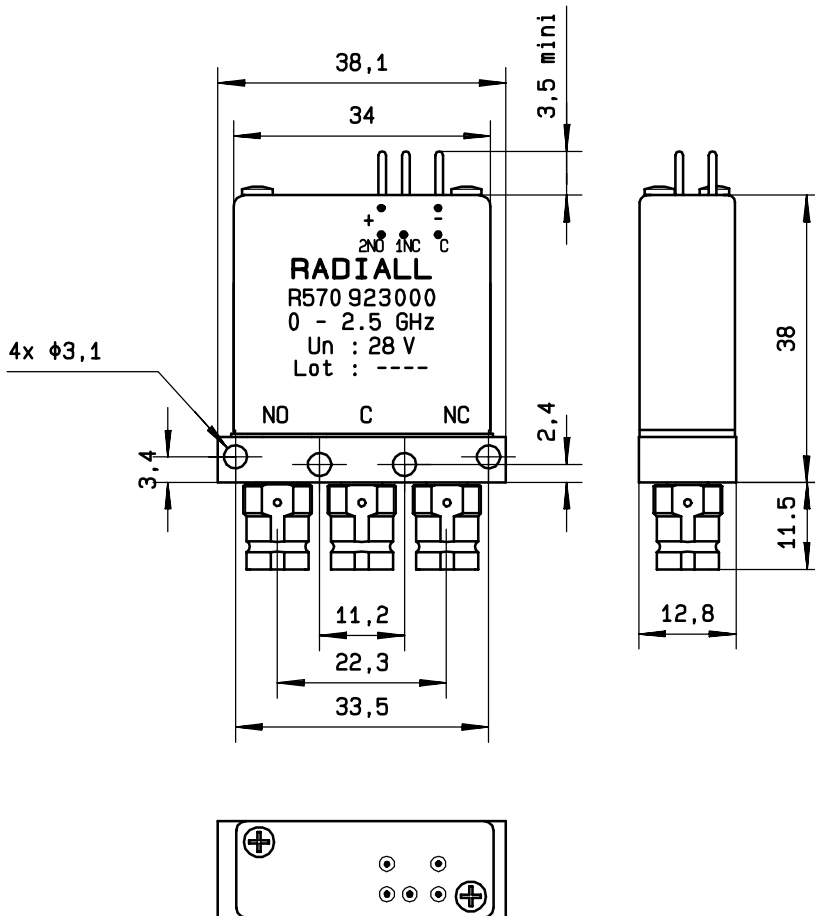
**ENVIRONMENTAL CHARACTERISTICS**

OPERATING TEMPERATURE RANGE (°C) : -25 , +70  
STORAGE TEMPERATURE RANGE (°C) : -40 , +85

(\* : average power at 25° C)

4112-9212 This information is given as an indication. In the continual goal to improve our products, we reserve the right to make any modifications judged necessary

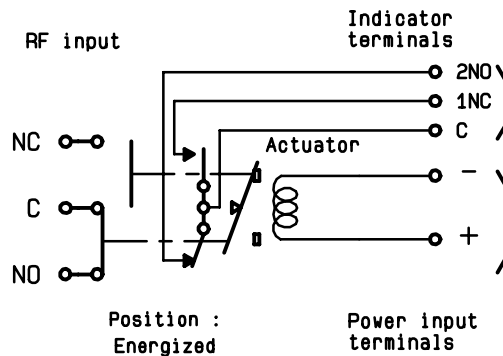
**DRAWING**



General tolerance:  $\pm 0,5$  mm

**SCHEMATIC DIAGRAM**

Voltage	RF continuity	Indicator
De-energized	C $\leftrightarrow$ NC	C . 1NC
energized	C $\leftrightarrow$ NO	C . 2NO



This information is given as an indication. In the continual goal to improve our products, we reserve the right to make any modifications judged necessary

4113-9212